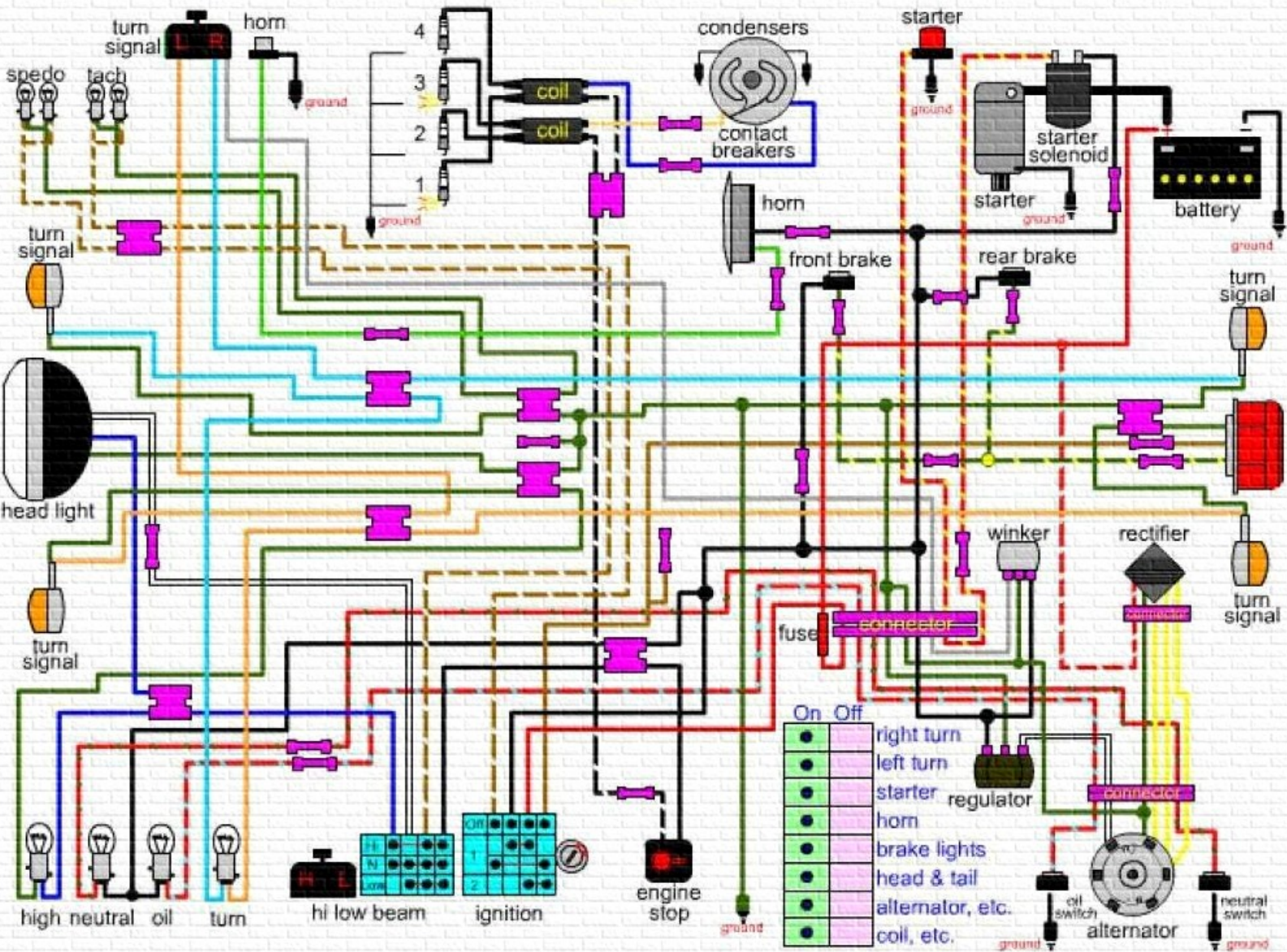


# Honda CB500 Four CB 500 Electrical Wiring Harness Diagram Schematic



# OEM PARTS & ACCESSORIES

Click on links below

[Honda SOHC4 OEM Parts & Online Schematics](#)

[Honda Cruiser Parts & Accessories](#)

[Honda Motorcycle Parts & Accessories](#)

[Save Up to 45% on Motorcycle Tires](#)

[Motorcycle Gear Closeout Sale](#)

[Cycle Gear Free Shipping](#)

[Honda CB550 Chain & Sprocket Kit](#)

[Honda CB550 CB500 Fork Boot Gaiter Set](#)

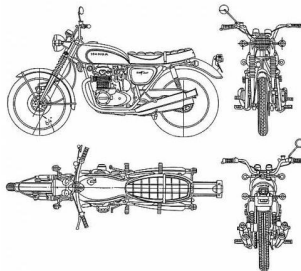
[Honda CB550 CB500 Left Sidecover](#)

[Honda CB550 CB500 Right Sidecover](#)

[Honda CB500 Piston Ring Set](#)

[Honda CB550 CB500 New Rear Shock Absorber](#)

*Classic Cycles  
Technical Resources*



*www.ClassicCycles.org*